

***Yamato***<sup>®</sup>

**GT** SERIES

**OVERLOCK/SAFETY STITCH MACHINE**

***YAMATOG-Series Can Obtain Well-balanced  
Stitch Formation and Can Meet Wider Range  
of Sewing Conditions Quickly and Easily.  
Besides, YAMATO "Non-stain" Technology Is  
Introduced for Further Enhanced Quality and  
Minimized Production Downtime.***


***YAMATOG-Series Is Your Best Partner for  
Further Prosperity.***



ISO9001:2000  
JQA-QM6412

**Submodel**

Seam	Model	Description									
<b>Overlock Machines</b>											
<b>For Blind Hemming and General Seaming (with Hemming Guide)</b>											
	<b>AZ8000G</b>	For blind hemming and general seaming With Hemming Guide. Lower Feed.	1	3	-	4	6	23.7	8,000		
	<b>AZF8000G</b>	Same as AZ8000G, except with Top Feeder to prevent ply shift.	1	3	-	4	7	25.7	6,500		
<b>For 1 Needle General Seaming</b>											
	<b>AZ8003G-8</b>	For knitted material. Lower Feed.	1	3	-	3, 4	6	23.7	8,000		
	<b>AZF8003G</b>	Same as AZ8003G, except with Top Feeder to prevent ply shift.	1	3	-	4	7	25.7	6,500		
<b>For 2 Needle General Seaming</b>											
	<b>AZ8020G-8</b>	For knitted material. Lower feed.	2	4	2.0, 2.4	4, 5, 6	6	23.7	8,000		
	<b>AZ8062G</b>	Same as AZ8020G, except with Floating Presser Foot.	2	4	2.4	5	5	23.7	7,000		
	<b>AZF8020G</b>	Same as AZ8020G, except with Top Feeder to prevent ply shift.	2	4	2.0, 2.4	4, 5, 6	7	25.7	6,000		
	<b>For Wider Overlock Seam Width (Maximum 8mm)</b>										
	<b>AZ8120G-8</b>	For wider overlock seam width. Lower Feed.	2	4	2.0, 2.4	5, 6, 8	7	25.7	6,000		
	<b>AZF8120G</b>	Same as AZ8120G, except with Top Feeder to prevent ply shift.	2	4	2.4	5, 6, 8	7	25.7	6,000		
<b>For Tricot and Light Weight Material</b>											
	<b>AZ8039G</b>	With special gauge parts to prevent tunnel seaming.	2	4	2.4	5	6	23.7	8,000		
	<b>AZ8069G-8</b>	Same as AZ8039G, except with Floating Presser Foot.	2	4	2.4	5	5	23.7	7,000		
<b>For Inserting Reinforcing Tape</b>											
	<b>AZ8025G-8</b>	With Presser Foot for inserting tape. Lower Feed	2	4	2.4	5	6	23.7	8,000		
	<b>AZF8025G</b>	Same as AZ8025, except with Top Feeder to prevent ply shift.	2	4	2.0, 2.4	4, 5, 6	7	25.7	6,500		
	<b>For Wider Overlock Seam Width (Maximum 8mm)</b>										
<b>AZ8125G-8</b>	For wider overlock seam width. Lower Feed.	2	4	2.4	5, 6	7	25.7	6,000			
<b>For Rolled-hemming of Handkerchief, Scarf, etc.</b>											
	<b>AZ8016G</b>	For narrow seam width(2mm) rolled hemming. With Interchangeable Stitch Plate Tongue and rubber coated Feed Dog.	1	3	-	2	3	23.7	8,000		
<b>For Piping with Cord.</b>											
	<b>AZF8026G</b>	With Top Feeder to prevent ply shift and twisting of tape.	2	4	2.4	5, 6	7	25.7	6,500		
<b>2 Needle Seaming for Heavy Knitted Material</b>											
	<b>AZ8032G</b>	With high stroke Upper Looper. Lower Feed.	2	4	2.0, 2.4	5	7	25.7	7,000		
	<b>AZ8035G</b>	Same as AZ8032, except with Presser Foot for inserting tape.	2	4	2.4	5, 6	7	25.7	7,000		
<b>For Serging and Top Stitching with Hemming</b>											
	<b>AZ8022G</b>	Serging and top stitching with hemming in one operation. Lower Feed. Stitching width: 2mm -5mm	2	4	3.2	6	4.5	23.7	6,500		

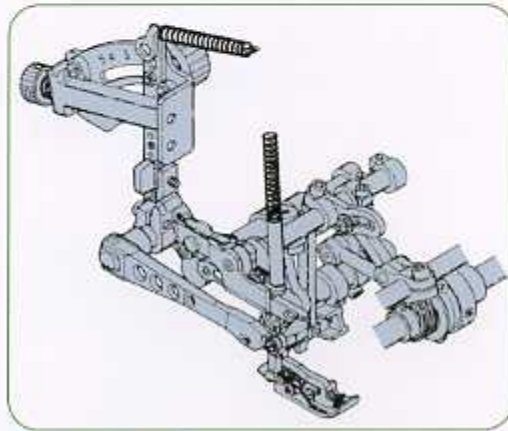
Seam	Model	Description								
<b>Safety Stitch Machine</b>										
<b>For General Seaming</b>										
	<b>AZ8500G</b>	For woven material. Lower feed	2	5	3.2, 5.0	4, 5, 6	6	23.7	7,500	
	<b>AZF8500G</b>	Same as AZ8500G, except with Floating Foot.	2	5	2.4, 3.2, 5.0	4, 5, 6	7	25.7	6,500	
	<b>AZFR8500G</b>	With Top Feeder to prevent ply shift, and Front of Needle and Rear of Presser Foot	2	5	5.0	5	7	25.7	6,500	
	<b>AZ8560G</b>	Same as AZ8500G, except with Presser Floating Foot.	2	5	3.2, 5.0	4, 5	3	23.7	6,500	
<b>Multi-purpose 3 Needle Safety Stitch (For 2 or 3 Needle Safety Stitch and 1 or 2 Needle Overlock)</b>										
	<b>AZ8520G</b>	For woven and knitted material. Lower Feed.	3	6	3.2-2.4	5, 6	5.5	23.7	7,500	
	<b>AZF8520G</b>	Same as AZ8520G, except with Top Feeder to prevent ply shift.	3	6	3.2-2.4 5.0-3.2	6, 7, 8	6.5	25.7	6,500	
<b>For Gathering (Ruffing)</b>										
	<b>AZ8505G</b>	With Separator Blade for gathering. Lower Feed	2	5	3.2, 5.0	4, 5	5.5	23.7	7,000	
<b>For Heavy Weight Material (with Tractor Type Presser Foot )</b>										
	<b>AZ8600G</b>	For side seaming on Jeans etc. Lower feed	2	5	5.0	5, 7	7.5	27.1	6,500	
	<b>AZF8600G</b>	Same as AZ8600G, except with Top Feeder to prevent ply shift.	2	5	5.0	5, 7	7.5	27.1	6,000	
<b>Multi-purpose 3 Needle Safety Stitch for Heavy Weight Material (with Tractor Type Presser Foot )</b>										
	<b>AZF8620G</b>	Multi-purpose for jeans application. With Top Feeder to prevent ply shift.	3	6	5.0-3.2	7	7.5	27.1	6,000	
<b>For Attaching Zipper Tape</b>										
	<b>AZF8611G</b>	For heavy weight material. With Top Feeder to prevent ply shift and Zipper Tape Guide.	2	5	5.0	5	6.5	27.1	6,000	
<b>For Binding Pocket Bag</b>										
	<b>AZR8920G</b>	2 Needle Double Chain Stitch Binding Machine. With Top Feed Behind Presser Foot	2	4	5.0	-	3.5	25.7	6,500	

## Top Feeder for Further Enhanced Quality and Applicability for Different Sewing Conditions



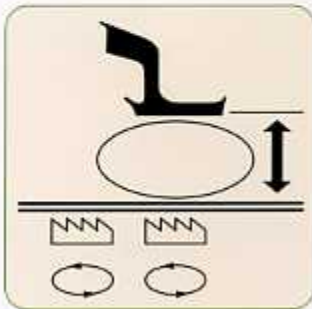
### High Quality Finish

It eliminates damages on light or delicate fabrics, without ply shift even on all fabrics hard to feed. Also, curved sewing operations can be easily done.



### Higher Productivity

For gathering and heavy weight material, upper and lower feeder enables easy and beautiful performance with high speed.



Feed dogs of upper and lower makes the perfect path to feed the fabric securely. Height and locus of top feeder can be easily adjusted depending on the thickness of material to be sewn.



### Simple Release Presser Foot System

Top Feeder machine of G series is equipped with simple release presser foot system, which can lift up the top feed dog by locking lever with one hand.

## ■ Device For AZF-G series

### TG: Top Gathering Controller (For AZF-G series)

On the conventional lower feed sewing machines, it was difficult for operators to observe the gathering condition because the gathering is made on lower ply of fabrics. However, on upper and lower differential feed machines, the gathering can be made on upper feeding so that the sewing becomes very easy and beautiful performance can be obtained without slow-down of sewing speed.



### SG: Intermittent Gathering Controller

This is used for intermittent gathering operation for AZF-G series machines with TG (Top Gathering Attachment). According to the amount of gathering can be set stopper at suitable position.



SG-M : Solenoid type

SG-A : Air-operated Type

